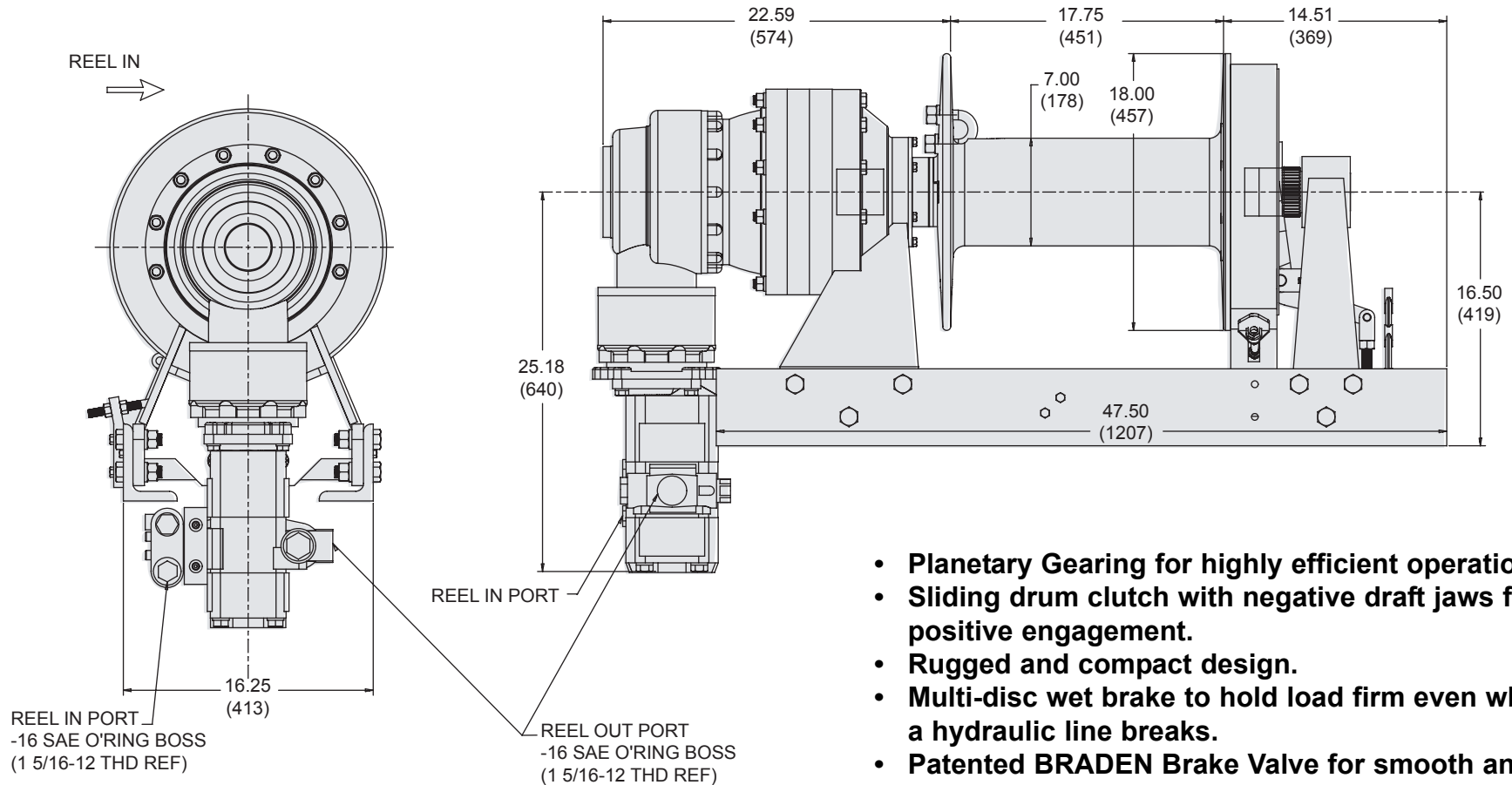


# HP50

50,000 LB First Layer Line Pull

# BRADEN®

## DIMENSIONAL INFORMATION



DIMENSIONS SHOWN:  
INCHES  
(MM)

**PACCAR WINCH DIVISION**

P.O. Box 547 Broken Arrow, Oklahoma 74013  
PHONE: (918) 251-8511 FAX: (918) 259-1575  
[www.paccarwinch.com](http://www.paccarwinch.com)

## ENGINEERING DATA

Maximum Load - First Layer. . . . . 50,000 LBS (22,680 KG)  
 Gear Ratio . . . . . 98:1  
 Gear Box Oil Capacity . . . . . 14 pints (6.6 L)  
 Weight (with 2-Speed Motor) . . . . . 1075 LBS (487 KG)  
 Drum Shaft Size . . . . . 3.25 in. (82.6 mm)

## FEATURES

The BRADEN HP70 Hydraulic Planetary Recovery Winch is designed and manufactured to meet the durability, reliability and performance demands of the Oil Field market.

HP series recovery winches provide superior line-speed and efficiency of planetary gearing while delivering all the pull of a comparable worm gear recovery winch.

Some basic features include:

- Easy, quick installation procedures
- Cable drum band brake controls back-spinning and bird-nesting of wire rope when the clutch is disengaged
- Visible freespool clutch with negative draft jaws for positive engagement
- Patented BRADEN Brake Valve for superior, smooth load control

### ⚠ WARNING ⚠

A minimum of 5 wraps of wire rope must be left on the drum to prevent the load from being supported by the wire rope anchor alone. Since the wire rope anchor is not designed to hold the rated load, failure to leave 5 wraps of wire rope on the drum could cause the load to drop, which could result in property damage, personal injury or death.

### ⚠ WARNING ⚠

The products described herein are neither designed nor intended for use or application to equipment used in lifting or moving of persons.

## NOTES

Specifications are subject to change without notification and without incurring obligation.

Pressure and flow shown are the maximum allowable for the particular combination of winch, ratio, motor and drum.

Specifications in this publication are theoretical and may vary depending on hydraulic system, environment, etc.

Line pulls are maximum ratings for the winch only.

Wire rope ratings may be lower than the the winch rating.

Consult the wire rope manufacturer for ratings.

## PERFORMANCE INFORMATION

### 2 Speed Motor

Motor Disp. - 6.38/3.19 Pressure - 2700 PSI (186 bar) Flow - 40 gpm (151 lpm) Rope Size - 7/8

LAYER	LINE PULL				LINE SPEED				WIRE ROPE	
	LBS		KG		FPM		MPM		FT	M
	LOW	HIGH	LOW	HIGH	LOW	HIGH	LOW	HIGH		
1	50,000	21,020	22,727	9,555	23	53	7	16	37	11
2	40,910	17,200	18,595	7,818	28	65	9	20	83	25
3	34,610	14,550	15,732	6,614	34	77	10	23	140	42
4	30,000	12,610	13,636	5,732	39	89	12	27	200	61
5	26,470	11,130	12,032	5,059	44	100	13	30	270	82

## WIRE ROPE CAPACITY

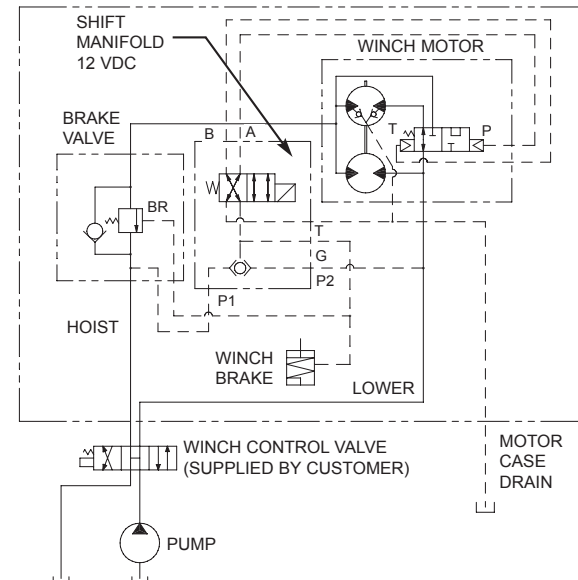
- 90% of Theoretical

WIRE ROPE SIZE	1ST LAYER		2ND LAYER		3RD LAYER		4TH LAYER		5TH LAYER		6TH LAYER		7TH LAYER		
	in.	ft.	m	ft.	m	ft.	m	ft.	m	ft.	m	ft.	m	ft.	m
3/4	43	13	94	28	150	46	220	67	300	91	380	115	480*	146	
7/8	37	11	83	25	140	43	200	61	270	82	350*	106			
1	33	10	74	22	120	36	180	55	250*	76					

\* Layer does not meet SAE J706 requirements

## HYDRAULIC CIRCUIT

### Two Speed



**HP50**