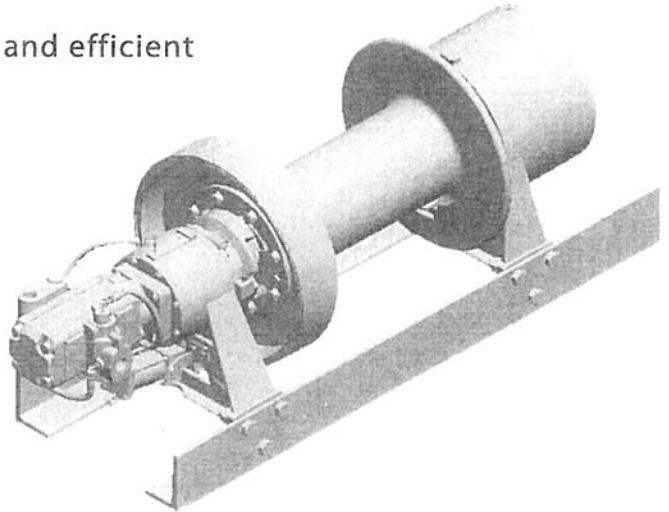


HP80A PLANETARY WINCH

Our HP80A is designed for continuous duty and efficient operation to meet a variety of winch recovery applications. Dynamic and static braking features provide safe, smooth operation in today's rigorous construction environments. High-efficiency anti-friction bearings are used throughout the hoist to ensure long field-service life. When you think Braden, you think *quality*.

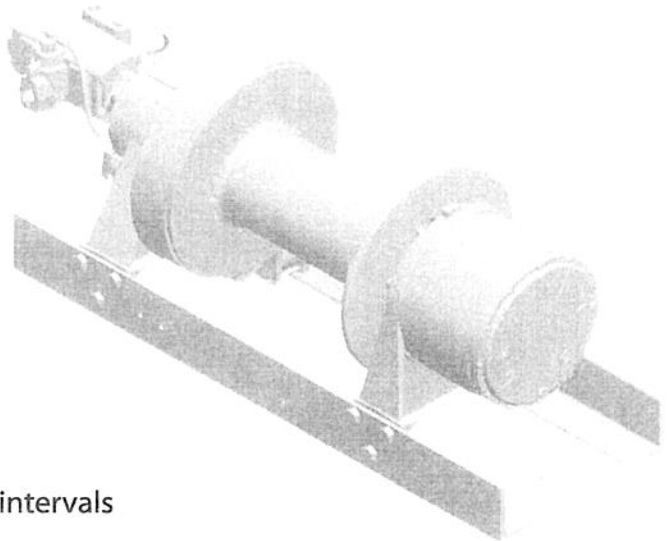


Features

- 80,000 lb first layer line pull
- Three-stage planetary reduction
- Two-speed hydraulic motor
- Air-actuated controls for sliding drum clutch and brake band operation
- Multi-disc static brake
- Full-load ferrule-design wire rope anchor

Benefits

- Sealed gearing reduces frequency-of-service intervals
- Compact reduced-weight design
- Ease of installation
- Smooth and efficient operation
- Reliable, long-lasting performance
- Low ownership costs



BRADEN® HP80A Planetary Winch

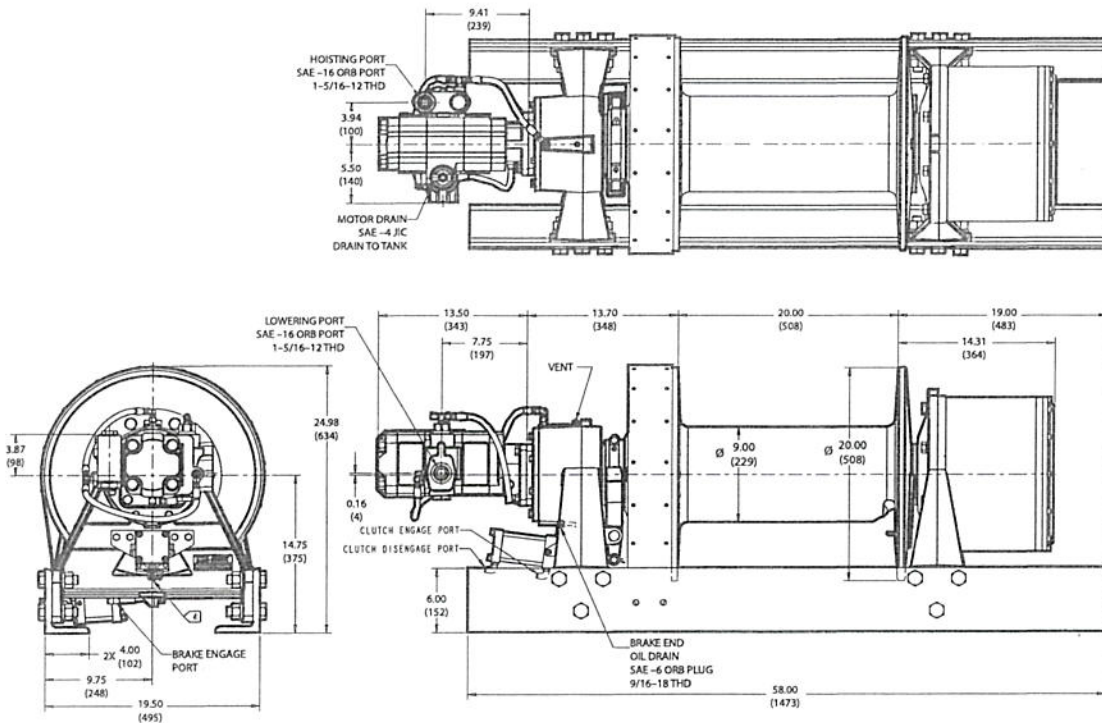
Performance

HP80A-123089/045-01

STANDARD							METRIC							
		089 (Low Speed)		045 (High Speed)					089 (Low Speed)		045 (High Speed)			
Motor		8.92 cu in.		4.46 cu in.			Motor		146.2 cc		73.1 cc			
Displacement		2671 psi		2674 psi			Displacement		184 bar					
Pressure		60 gpm					Pressure		227.1 lpm					
Flow							Flow							
Rope Dia. (in.)							Rope Dia. (mm)							
1.0	1	80000	27	38270	60	47	25.3	1	36334	8	17395	18	14	
	2	66670	32	31890	72	103		2	30305	10	14495	22	31	
	3	57140	38	27330	84	168		3	25973	11	12423	26	51	
	4	50000	43	23920	96	243		4	22727	13	10873	29	74	
	5	44450	49	21260	108	327		5	20205	15	9664	33	100	

Dimensions

DIMENSIONS IN INCHES (MM)



MAKERS OF THE FINEST WINCH, HOIST, AND DRIVE SYSTEMS

P.O. BOX 547 BROKEN ARROW, OK U.S.A. 74013

PHONE (918) 251-8511 FAX (918) 259-1575

www.paccarwinch.com