

BOOM TRUCK CRANE

60 Ton Lifting Capacity



Highlights

The new Crossover 6000 boom truck from Terex combines innovative design with ease of use, structural strength and reliable performance. The result is a boom truck that gives you a low cost of ownership and exceptional reliability.

- ▶ 110 ft (33.5 m) fully synchronous telescopic boom
- ▶ 60 T (54.4 t) maximum lifting capacity
- ▶ X-pattern front outrigger design eliminates front jack requirement
- ▶ Rated capacity indicator with work area definition

Applications

- ▶ Oil field construction and services
- ▶ Commercial building erection
- ▶ Taxi-crane service
- ▶ Equipment placement
- ▶ Road and bridge construction
- ▶ Transportation—Truck loading and unloading
- ▶ Structural steel placement and erection

WORKS FOR YOU.™

SPECIFICATIONS

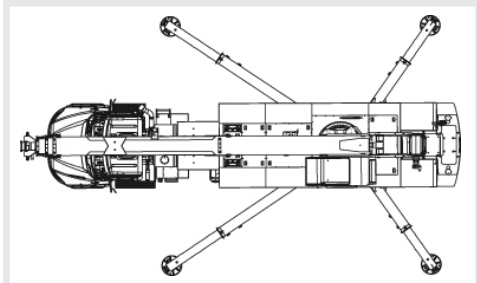
CROSSOVER 6000



Maximum lifting capacity
120,000 lb (54,431 kg)

Main boom length
110 ft (33.5 m)

Counterweight
4,500 lbs (2,041 kg), standard.
(Other options available)



Operational Ease

Precision control

Fully proportional controls.

Work area definition

The operator can define boundaries for boom rotation, lift and lower. A warning alarm sounds if the boom moves outside the defined area.

Strength and Power

Proven boom design

Four-section fully synchronized design.

High-performance hydraulics

Three-pump system simultaneously provides independent flow to the boom, hoist and rotation functions.

New and Improved

X-Outriggers

X-pattern outriggers are designed to offer maximum stability while still providing a small footprint. Standard 360 degree continuous rotation.

Key Specifications

	Maximum tip height with fully extended jib	170 ft (51.8 m)
	Hoist speed	2-speed, 266/533 ft/min (81/162 m/min)
	Maximum line pull	15,639 lbs (7,094 kg)

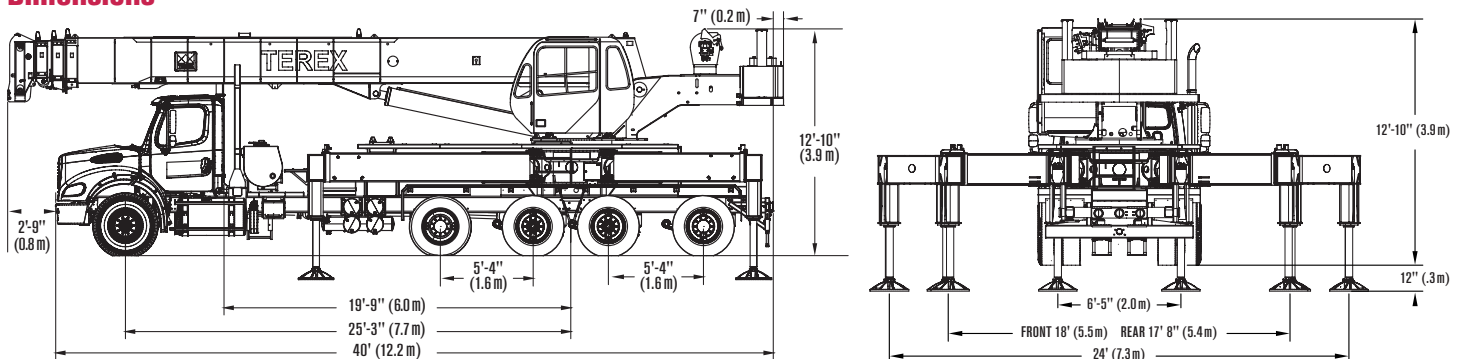
Optional Equipment

- 32 to 57 ft (9.8 -17.4 m) two-stage jib
- Second hoist with 2 speed motor
- Counterweight packages:
7,500 lbs (3,402 kg), 11,500 lbs (5,216 kg), 16,500 lbs (7,484 kg)

Chassis Specifications: Freightliner M2-112 (Other Chassis Available)

Drive Train		Weights		Tire Sizes	
Engine	Detroit Diesel 450 HP (336 kW)	Front Axle Weight Rating	20,000 lb	Front Axle	425/65 R22.5
Transmission	Allison 4500 RDS	Rear Axle Weight Rating	40,000 lb	Rear Axle	11R22.5
		Pusher Axle Weight Rating	20,000 lb	Pusher Axle	385/54 R22.5
		Tag Axle Weight Rating	22,500 lb	Tag Axle	11R22.5

Dimensions



www.terexcranes.com

Effective Date: September 2011. Product specifications and prices are subject to change without notice or obligation. The photographs and/or drawings in this document are for illustrative purposes only. Refer to the appropriate Operator's Manual for instructions on the proper use of this equipment. Failure to follow the appropriate Operator's Manual when using our equipment or to otherwise act irresponsibly may result in serious injury or death. The only warranty applicable to our equipment is the standard written warranty applicable to the particular product and sale and Terex makes no other warranty, express or implied. Products and services listed may be trademarks, service marks or trade-names of Terex Corporation and/or its subsidiaries in the USA and other countries. All rights are reserved. Terex is a registered trademark of Terex Corporation in the USA and many other countries. © 2011 Terex Corporation. TC-SF-I-E-BT-CROSSOVER6000-09/11



Terex Cranes, Global Marketing, Dinglerstraße 24, 66482 Zweibrücken, Germany
Tel. +49 (0) 6332 830, Email: info.cranes@terex.com, www.terexcranes.com